

V300-46 Privacy Gate

Installation Tips

Planning

- Prior to construction, check with your local regulatory agency for special code requirements in your area.
- Contact your utility supplier to locate and mark underground lines.
- Careful planning and measuring of your fence project is essential, as moving posts after the concrete sets is extremely difficult.

Distance Between Posts (inside to inside)

- For a single gate, measure the actual width of the gate and add 2". (For instance: A 48" wide gate would have an inside to inside post distance of 50")
- For double gates, measure the actual total width of both gates and add 3". (For instance: Two 60" wide gate leaves would have an inside to inside post distance of 123")

Digging Post Holes

- (DETAIL D) Dig post holes 12" to 16" in diameter and 36" to 42" deep (depending on local ordinance or expected frost depth in winter).

Setting and Installing Posts and Panels

- Insert a post into the hole. Level and adjust the height as needed using gravel. (DETAIL D)
- Fill holes with concrete, mix thoroughly and follow directions on the bag. Check to make sure posts are still level. Let concrete properly cure according to manufacturer's recommendations before hanging gate(s). (DETAIL D)

Hanging the Gate(s)

- Lay the gate on a flat surface or ground. Add hinges to gate frame (as per diagram) 6" from top and 6" from bottom (using screws provided with hinges). (DETAIL B) **IMPORTANT NOTE: Double check before adding hinges that desired swing direction and latch position is correct.**
- Place gate against hinge post, adjust height accordingly, attach hinges to post using provided screws. (DETAIL B)
- Adjust gate hinges (if necessary) to achieve 1" spacing between latch post and gate and that the gate is square overall.
- Add latch to gate with screws provided. **IMPORTANT NOTE: Before you add screw, make sure the latch is in correct position to accommodate for the swing of the gate.** (DETAIL A)
- Add a gate stop to the bottom of the gate to protect from damage through slamming. (DETAIL C)
- Install a post cap on each post using PVC glue or an exterior adhesive.
- For walk gates, it is strongly recommended to use a drop rod. For double drive gates, use a drop rod on each leaf of the gate.

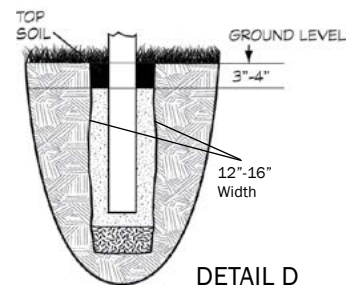
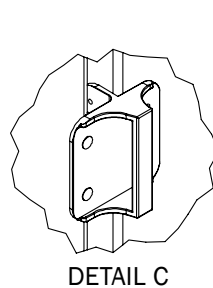
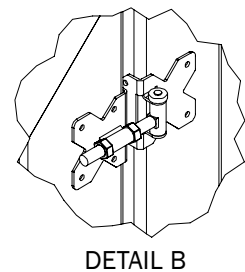
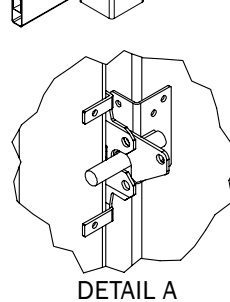
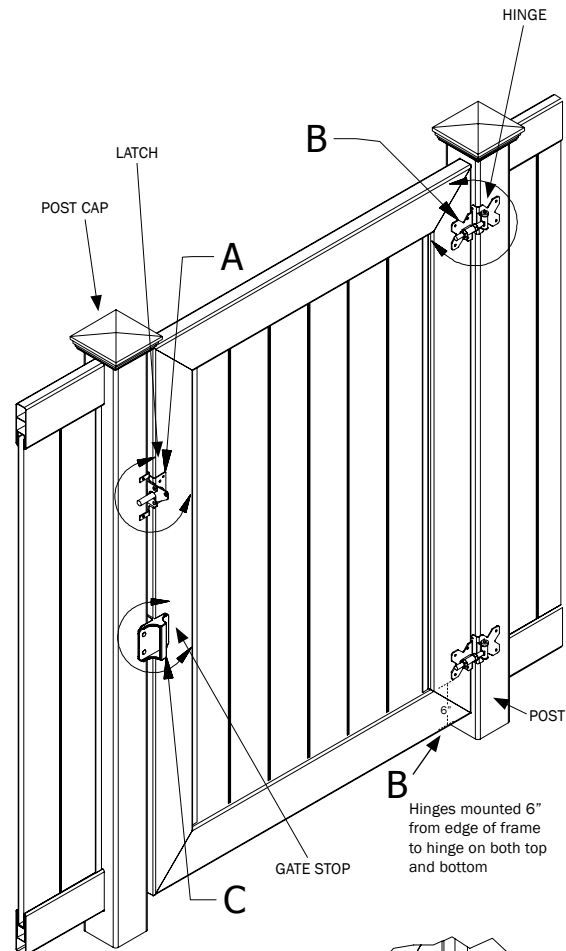
Posts

- Use Heavy Duty Gate Posts 5" x 5" (VH55_...) or Majestic Entryway Gate Posts 8" x 8" (V88_...)

www.illusionfence.com

The diagrams and instructions shown are for illustration purposes only and are not meant to replace a licensed professional. Any construction or use of the product must be in accordance with all local zoning and building codes. The consumer assumes all risks and liability associated with the construction or use of this product. The consumer or contractor should take all necessary steps to ensure the safety of everyone involved in the project, including, but not limited to, wearing the appropriate safety equipment. EXCEPT AS CONTAINED IN THE WRITTEN LIMITED WARRANTY, THE WARRANTOR DOES NOT PROVIDE ANY OTHER WARRANTY, EITHER EXPRESS OR IMPLIED, AND SHALL NOT BE LIABLE FOR ANY DAMAGES, INCLUDING CONSEQUENTIAL DAMAGES.

Illusions Gate Instructions 0912. Illusions Fence ©2012 All rights reserved.
Made in the USA.



V300-48 Privacy Gate

Installation Tips

Planning

- Prior to construction, check with your local regulatory agency for special code requirements in your area.
- Contact your utility supplier to locate and mark underground lines.
- Careful planning and measuring of your fence project is essential, as moving posts after the concrete sets is extremely difficult.

Distance Between Posts (inside to inside)

- For a single gate, measure the actual width of the gate and add 2". (For instance: A 48" wide gate would have an inside to inside post distance of 50")
- For double gates, measure the actual total width of both gates and add 3". (For instance: Two 60" wide gate leaves would have an inside to inside post distance of 123")

Digging Post Holes

- Dig post holes 12" to 16" in diameter and 36" to 42" deep (depending on local ordinance or expected frost depth in winter).

Setting and Installing Posts and Panels

- Insert a post into the hole. Level and adjust the height as needed using gravel.
- Fill holes with concrete, mix thoroughly and follow directions on the bag. Check to make sure posts are still level. Let concrete properly cure according to manufacturer's recommendations before hanging gate(s).

Hanging the Gate(s)

- Lay the gate on a flat surface or ground. Add hinges to gate frame (as per DETAIL B). **IMPORTANT NOTE: Double check before adding hinges that desired swing direction and latch position is correct.**
- Place gate against hinge post, adjust height accordingly, attach hinges to post using provided screws (DETAIL A).
- Adjust gate hinges (if necessary) to achieve 1" spacing between latch post and gate and that the gate is square overall.
- Add latch to gate with screws provided. **IMPORTANT NOTE: Before you add screw, make sure the latch is in correct position to accommodate for the swing of the gate.** (DETAIL A)
- Add a gate stop to the bottom of the gate to protect from damage through slamming (DETAIL C).
- Install a post cap on each post using PVC glue or an exterior adhesive.
- For walk gates, it is strongly recommended to use a drop rod. For double drive gates, use a drop rod on each leaf of the gate.

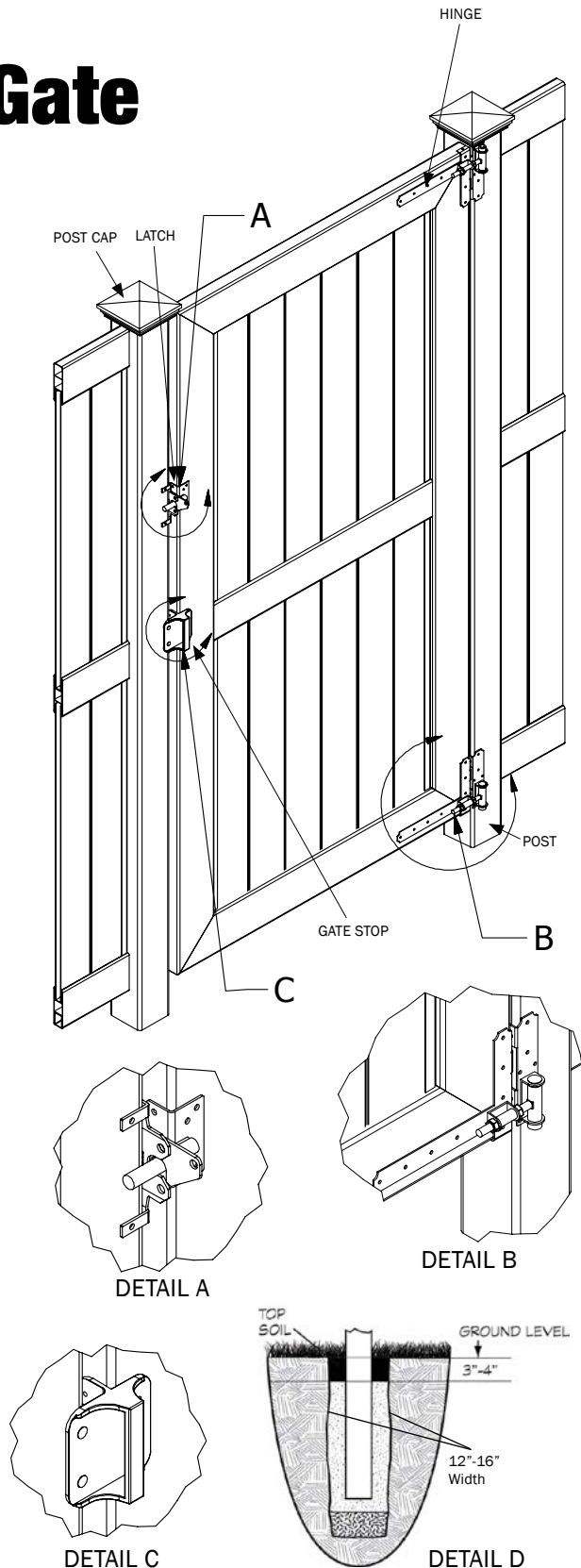
Posts

- Use Heavy Duty Gate Posts 5" x 5" (VH55_...) or Majestic Entryway Gate Posts 8" x 8" (V88_...)

www.illusionfence.com

The diagrams and instructions shown are for illustration purposes only and are not meant to replace a licensed professional. Any construction or use of the product must be in accordance with all local zoning and building codes. The consumer assumes all risks and liability associated with the construction or use of this product. The consumer or contractor should take all necessary steps to ensure the safety of everyone involved in the project, including, but not limited to, wearing the appropriate safety equipment. EXCEPT AS CONTAINED IN THE WRITTEN LIMITED WARRANTY, THE WARRANTOR DOES NOT PROVIDE ANY OTHER WARRANTY, EITHER EXPRESS OR IMPLIED, AND SHALL NOT BE LIABLE FOR ANY DAMAGES, INCLUDING CONSEQUENTIAL DAMAGES.

Illusions Gate Instructions 0912. Illusions Fence ©2012 All rights reserved.
Made in the USA.



VBG2-46 Privacy Gate

Installation Tips

Planning

- Prior to construction, check with your local regulatory agency for special code requirements in your area.
- Contact your utility supplier to locate and mark underground lines.
- Careful planning and measuring of your fence project is essential, as moving posts after the concrete sets is extremely difficult.

Distance Between Posts (inside to inside)

- For a single gate, measure the actual width of the gate and add 2". (For instance: A 48" wide gate would have an inside to inside post distance of 50")
- For double gates, measure the actual total width of both gates and add 3". (For instance: Two 60" wide gate leaves would have an inside to inside post distance of 123")

Digging Post Holes

- (DETAIL D) Dig post holes 12" to 16" in diameter and 36" to 42" deep (depending on local ordinance or expected frost depth in winter).

Setting and Installing Posts and Panels

- Insert a post into the hole. Level and adjust the height as needed using gravel. (DETAIL D)
- Fill holes with concrete, mix thoroughly and follow directions on the bag. Check to make sure posts are still level. Let concrete properly cure according to manufacturer's recommendations before hanging gate(s). (DETAIL D)

Hanging the Gate(s)

- Lay the gate on a flat surface or ground. Add hinges to gate frame (as per diagram) 6" from top and 6" from bottom (using screws provided with hinges). (DETAIL B) **IMPORTANT NOTE: Double check before adding hinges that desired swing direction and latch position is correct.**
- Place gate against hinge post, adjust height accordingly, attach hinges to post using provided screws. (DETAIL B)
- Adjust gate hinges (if necessary) to achieve 1" spacing between latch post and gate and that the gate is square overall.
- Add latch to gate with screws provided. **IMPORTANT NOTE: Before you add screw, make sure the latch is in correct position to accommodate for the swing of the gate.** (DETAIL A)
- Add a gate stop to the bottom of the gate to protect from damage through slamming. (DETAIL C)
- Install a post cap on each post using PVC glue or an exterior adhesive.
- For walk gates, it is strongly recommended to use a drop rod. For double drive gates, use a drop rod on each leaf of the gate.

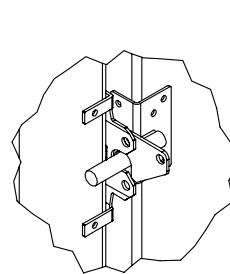
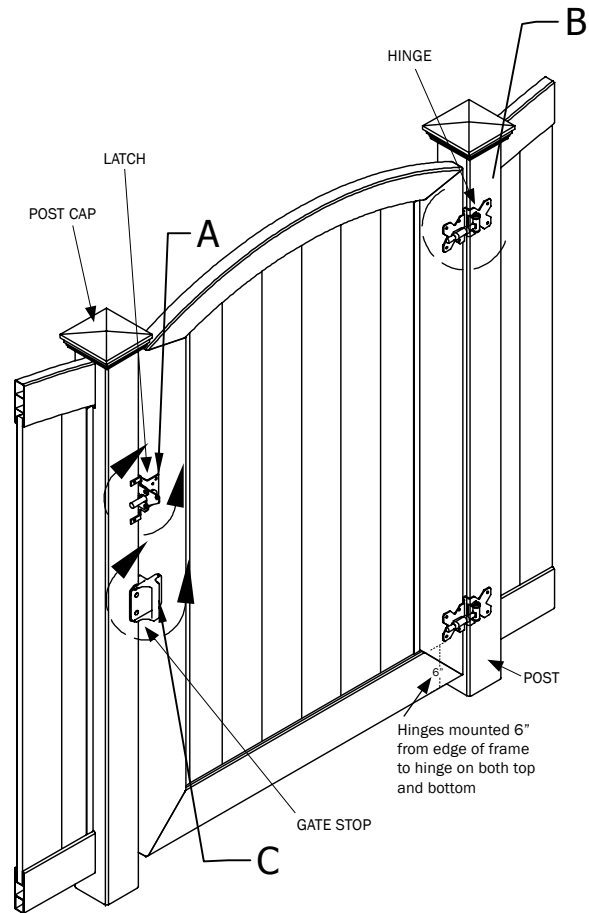
Posts

- Use Heavy Duty Gate Posts 5" x 5" (VH55_...) or Majestic Entryway Gate Posts 8" x 8" (V88_...)

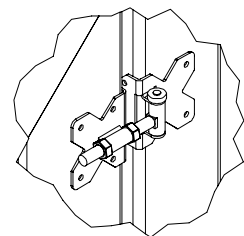
www.illusionfence.com

The diagrams and instructions shown are for illustration purposes only and are not meant to replace a licensed professional. Any construction or use of the product must be in accordance with all local zoning and building codes. The consumer assumes all risks and liability associated with the construction or use of this product. The consumer or contractor should take all necessary steps to ensure the safety of everyone involved in the project, including, but not limited to, wearing the appropriate safety equipment. EXCEPT AS CONTAINED IN THE WRITTEN LIMITED WARRANTY, THE WARRANTOR DOES NOT PROVIDE ANY OTHER WARRANTY, EITHER EXPRESS OR IMPLIED, AND SHALL NOT BE LIABLE FOR ANY DAMAGES, INCLUDING CONSEQUENTIAL DAMAGES.

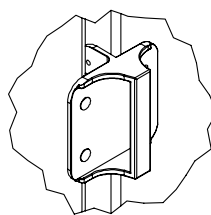
Illusions Gate Instructions 0912. Illusions Fence ©2012 All rights reserved.
Made in the USA.



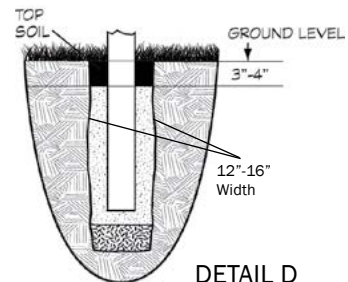
DETAIL A



DETAIL B



DETAIL C



DETAIL D



VBG4-46 Arched Lattice Privacy Gate

Installation Tips

Planning

- Prior to construction, check with your local regulatory agency for special code requirements in your area.
- Contact your utility supplier to locate and mark underground lines.
- Careful planning and measuring of your fence project is essential, as moving posts after the concrete sets is extremely difficult.

Distance Between Posts (inside to inside)

- For a single gate, measure the actual width of the gate and add 2". (For instance: A 48" wide gate would have an inside to inside post distance of 50")
- For double gates, measure the actual total width of both gates and add 3". (For instance: Two 60" wide gate leaves would have an inside to inside post distance of 123")

Digging Post Holes

- (DETAIL D) Dig post holes 12" to 16" in diameter and 36" to 42" deep (depending on local ordinance or expected frost depth in winter).

Setting and Installing Posts and Panels

- Insert a post into the hole. Level and adjust the height as needed using gravel. (DETAIL D)
- Fill holes with concrete, mix thoroughly and follow directions on the bag. Check to make sure posts are still level. Let concrete properly cure according to manufacturer's recommendations before hanging gate(s). (DETAIL D)

Hanging the Gate(s)

- Lay the gate on a flat surface or ground. Add hinges to gate frame (as per diagram) 6" from top and 6" from bottom (using screws provided with hinges). (DETAIL B) **IMPORTANT NOTE: Double check before adding hinges that desired swing direction and latch position is correct.**
- Place gate against hinge post, adjust height accordingly, attach hinges to post using provided screws. (DETAIL B)
- Adjust gate hinges (if necessary) to achieve 1" spacing between latch post and gate and that the gate is square overall.
- Add latch to gate with screws provided. **IMPORTANT NOTE: Before you add screw, make sure the latch is in correct position to accommodate for the swing of the gate.** (DETAIL A)
- Add a gate stop to the bottom of the gate to protect from damage through slamming. (DETAIL C)
- Install a post cap on each post using PVC glue or an exterior adhesive.
- For walk gates, it is strongly recommended to use a drop rod. For double drive gates, use a drop rod on each leaf of the gate.

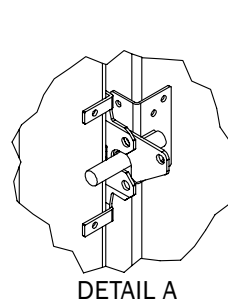
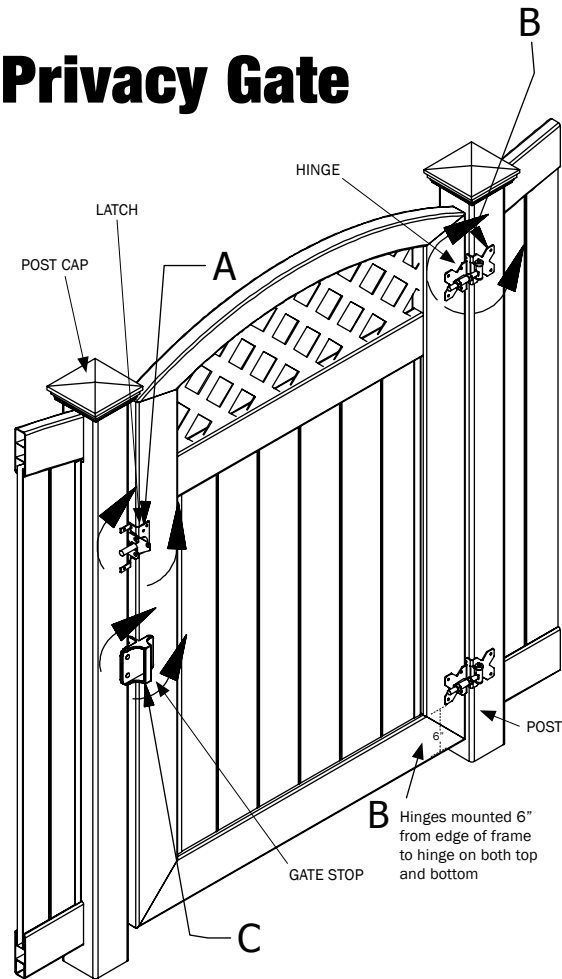
Posts

- Use Heavy Duty Gate Posts 5" x 5" (VH55_...) or Majestic Entryway Gate Posts 8" x 8" (V88_...)

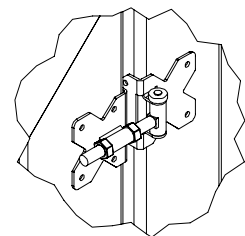
www.illusionfence.com

The diagrams and instructions shown are for illustration purposes only and are not meant to replace a licensed professional. Any construction or use of the product must be in accordance with all local zoning and building codes. The consumer assumes all risks and liability associated with the construction or use of this product. The consumer or contractor should take all necessary steps to ensure the safety of everyone involved in the project, including, but not limited to, wearing the appropriate safety equipment. EXCEPT AS CONTAINED IN THE WRITTEN LIMITED WARRANTY, THE WARRANTOR DOES NOT PROVIDE ANY OTHER WARRANTY, EITHER EXPRESS OR IMPLIED, AND SHALL NOT BE LIABLE FOR ANY DAMAGES, INCLUDING CONSEQUENTIAL DAMAGES.

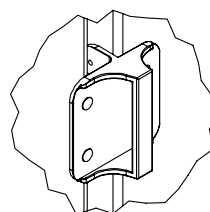
Illusions Gate Instructions 0912. Illusions Fence ©2012 All rights reserved.
Made in the USA.



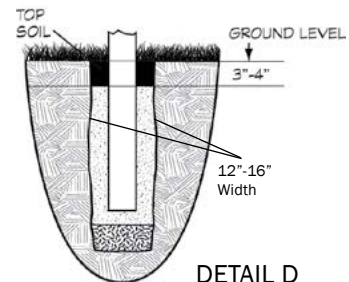
DETAIL A



DETAIL B



DETAIL C



DETAIL D

